

(Click on the Connector you want to display) ●

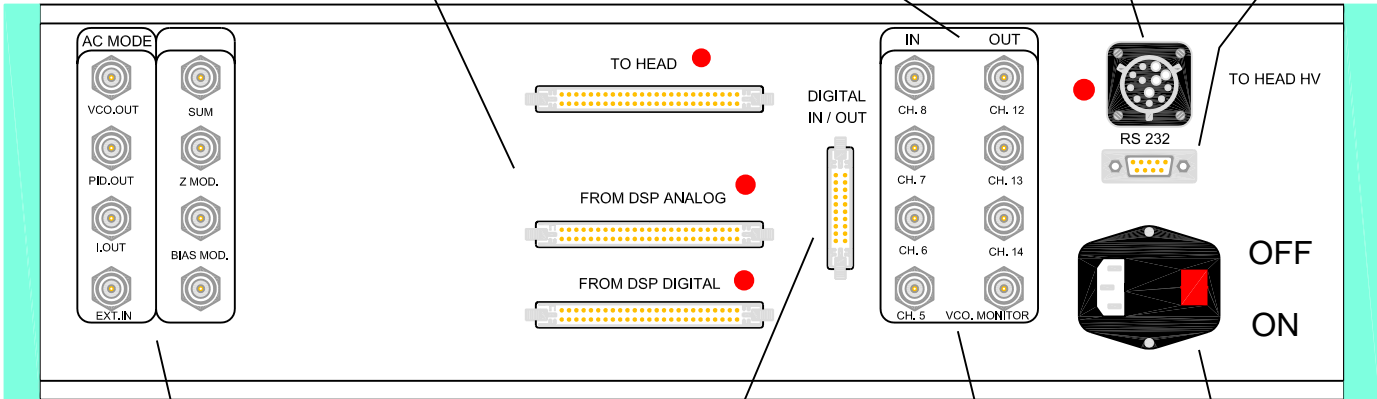
IDC 50 Connectors-P

BNC Connectors

IN: ADC auxiliar channels
OUT: DAC auxiliar channels

RS 232 DB9 Connector-P

HV Connector



BNC Connectors

IDC 20 Connector-P

Power 90 / 240 V AC
50 / 60 Hz. Fuse 2A

SUM: Output of the four photodiode quadrant
Z MOD: External modulation for the Z piezoelectric
BIAS MOD: External modulation for the bias voltage
EXT.IN: External input for AC unit
I.OUT: Driving signal for magnetic cantilever oscillation
PID.OUT: Face lock loop output
VCO.OUT: Driving signal for cantilever oscillation (+/- 10V)